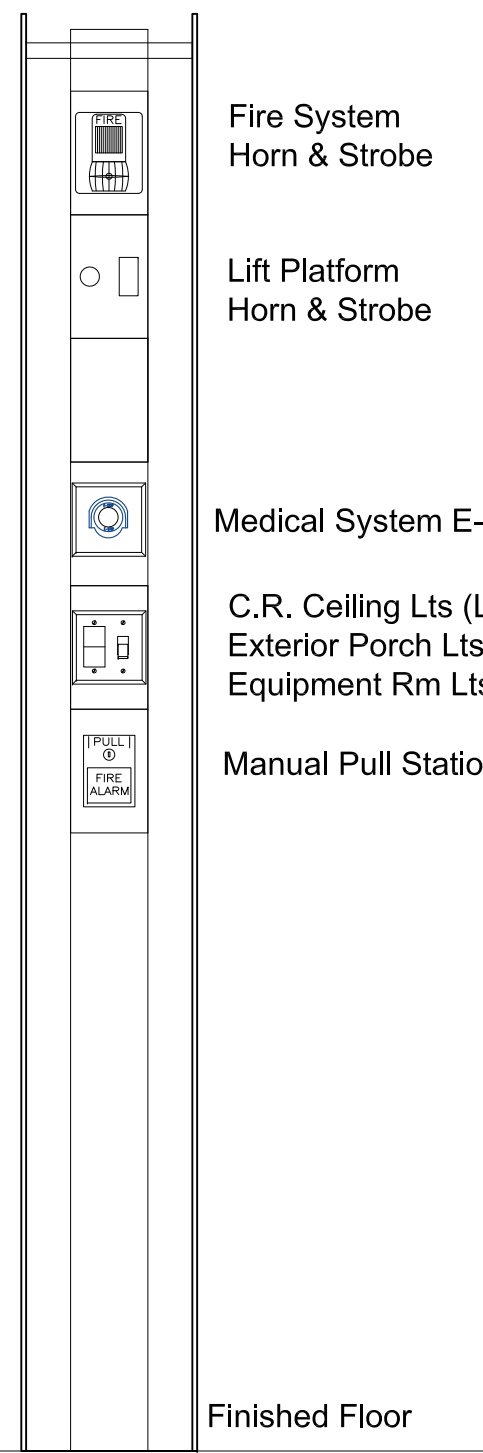
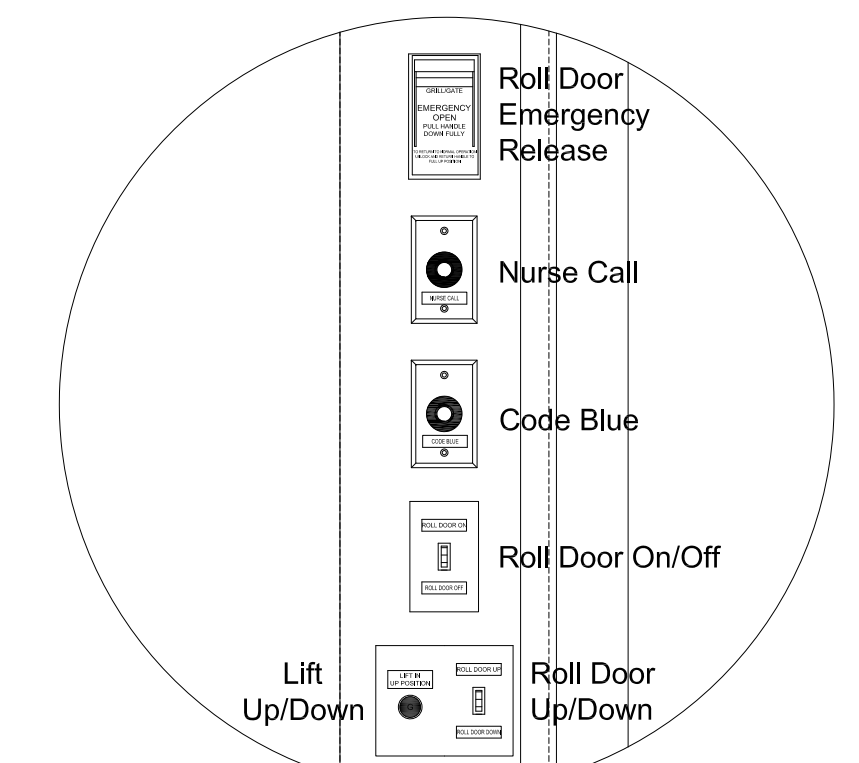


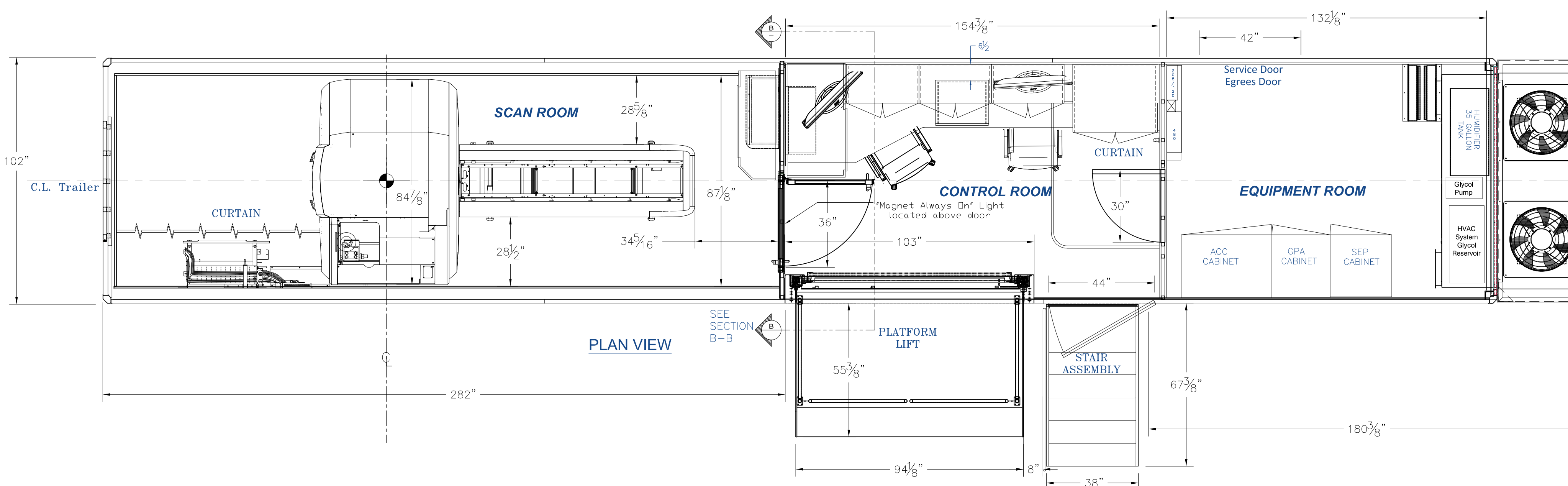
PASSENGER SIDE VIEW (INSIDE)



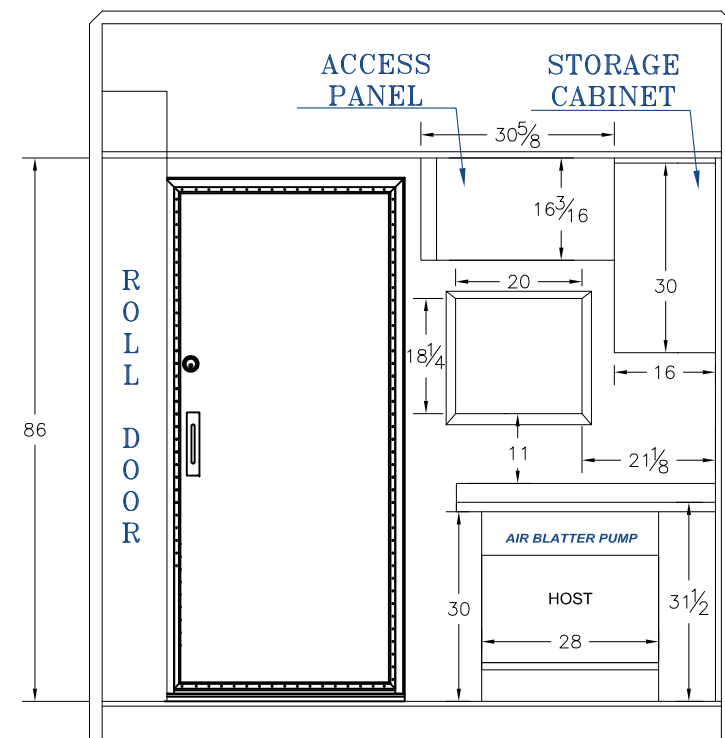
Section A-A Details



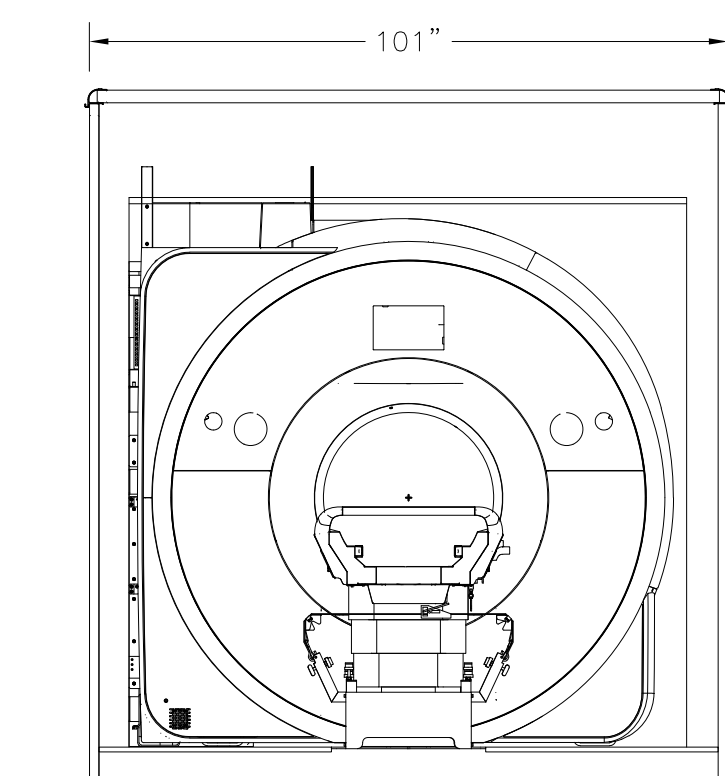
Detail A



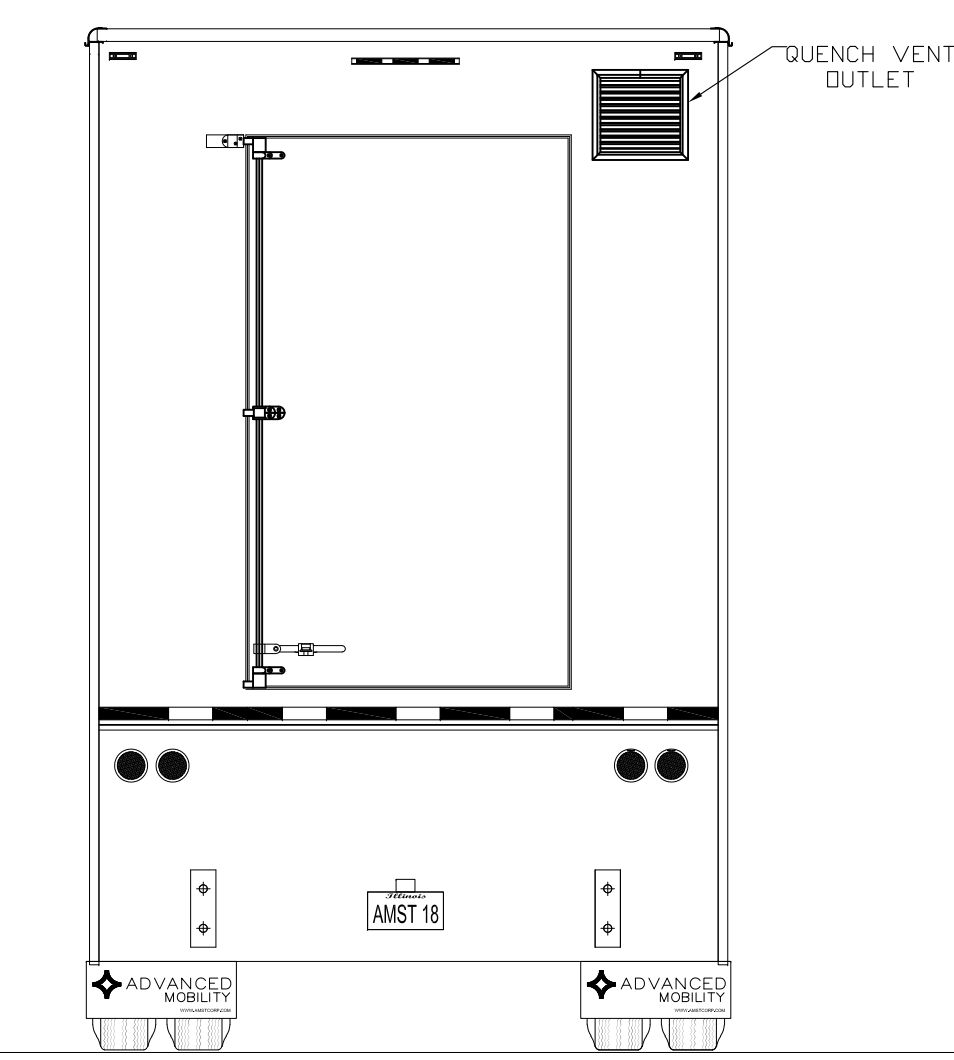
PLAN VIEW



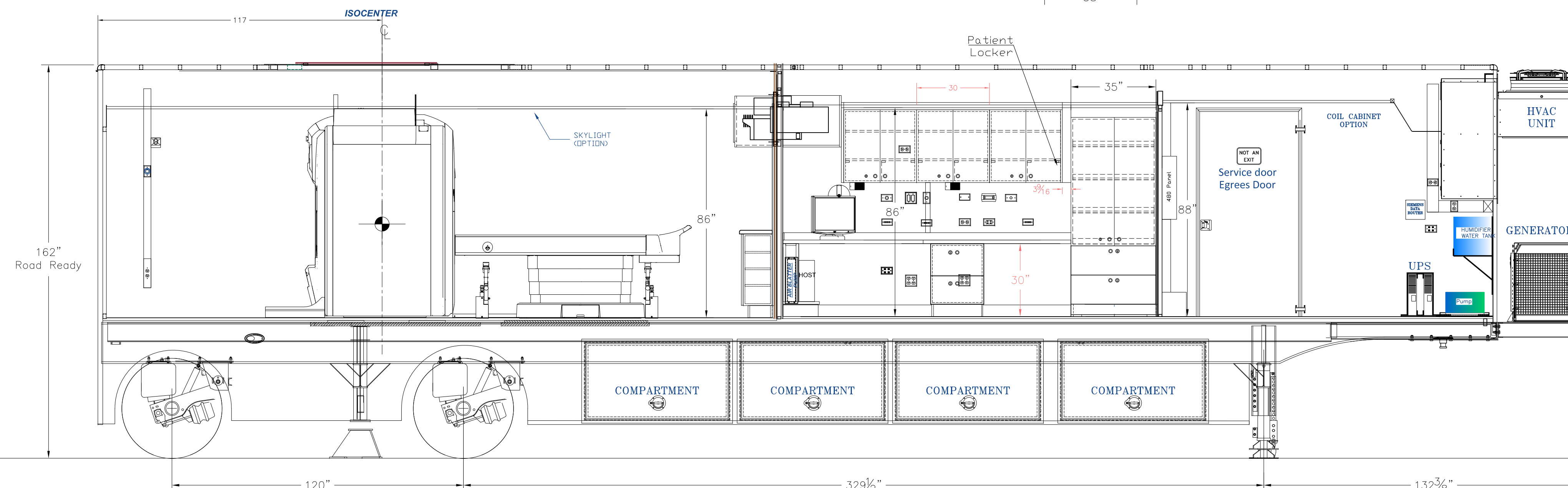
SECTION B-B Scan Room/Control Room Partition Wall (Viewed from Control Room)



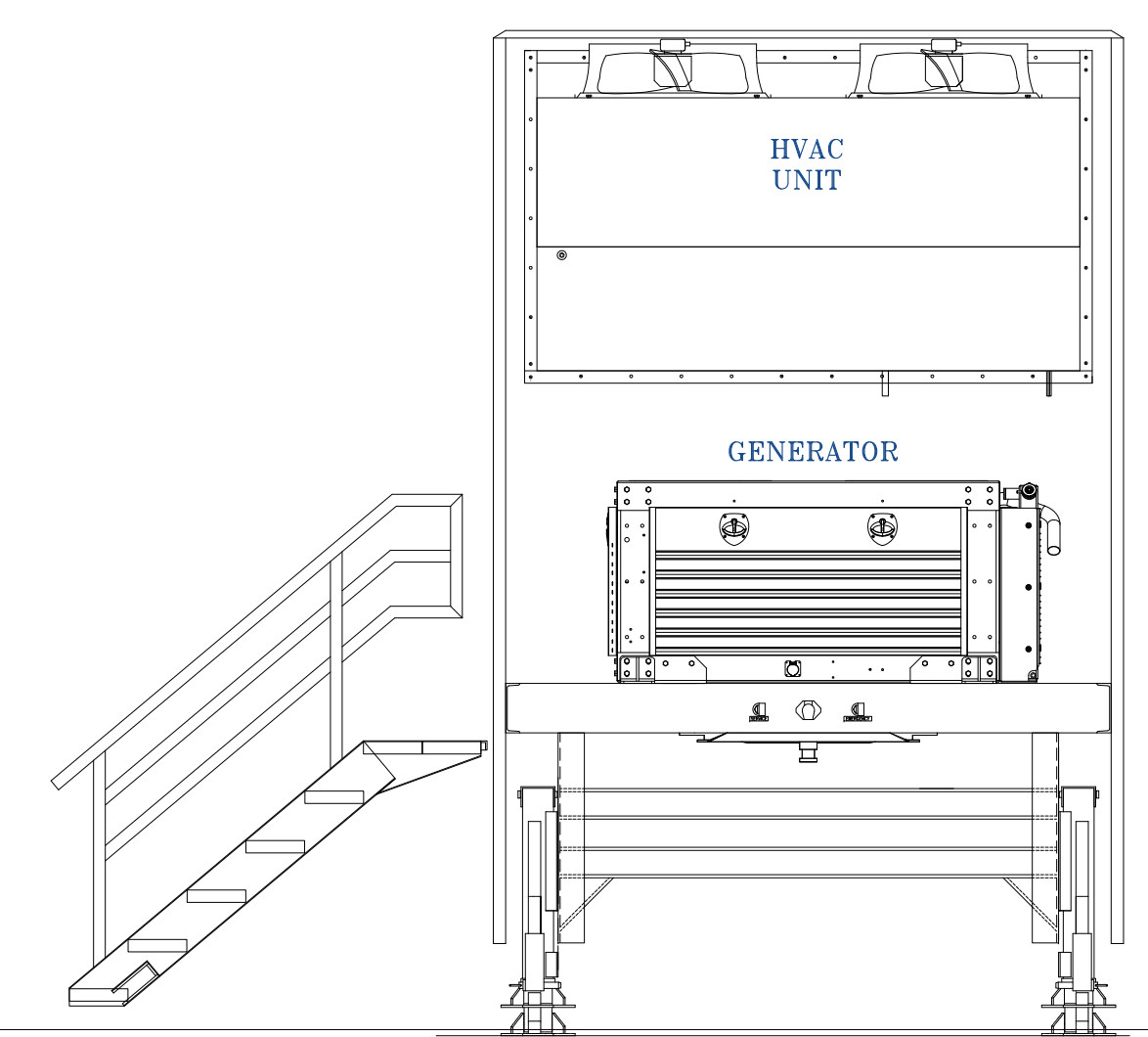
SCAN ROOM VIEW



EXTERIOR REAR LAYOUT



DRIVER SIDE VIEW (INSIDE)



EXTERIOR FRONT LAYOUT

THIS DRAWING AND SPECIFICATIONS ARE THE PROPERTY OF ADVANCED MOBILITY & STRUCTURES TECHNOLOGIES, ARE ISSUED IN STRICT CONFIDENCE AND SHALL NOT BE REPRODUCED, COPIED OR USED AS THE BASIS FOR MANUFACTURE OR SALE OF MATTER DEPICTED HEREIN WITHOUT WRITTEN PERMISSION. IT IS CONSIDERED ON LOAN AND SHALL BE RETURNED TO ADVANCED MOBILITY & STRUCTURES TECHNOLOGIES UPON REQUEST.

MEDICAL TRAILER BASE
SIEMENS VIATO BASE
8'-6" x 13'-6" x 48'-0" TRAILER

UNLESS OTHERWISE SPECIFIED DIMENSIONS ARE IN INCHES. TOLERANCES ARE:
FRACTIONAL: ± 1/16"
DECIMAL: ± 0.06

APPROVALS: **B. LEE** 04/01/2021
CHECKED BY: **MAS** 02/07/2022

MATERIAL: **AS NOTED**
DO NOT SCALE DRAWING

611 COMMERCE CENTER DRIVE
UNIVERSITY PARK, IL, 60484 U.S.A.
PHONE: 708-235-0200 FAX: 708-235-0202
CONTACT: info@amstcorp.com WEBSITE: amstcorp.com

AMST
A Marmon | Berkshire Hathaway Company

SIZE: D SCALE: SHEET:

DRAWING NUMBER: SMRV-A01A BASE REV. 00

CUSTOMER AUTHORIZATION	
COMPANY NAME:	
NAME (PRINT):	TITLE:
SIGNATURE:	DATE:

C.O.	REV.	DESCRIPTION	DATE	APPROVED
	00			
REVISIONS				